

GLOBAL SALES NETWORK



J Series

5-8.5t Electric forklift truck



CE CERTIFICATE



ISO14001

ISO14001: 2004



ISO9001

ISO9001: 2008

HANGCHA GROUP CO., LTD.
(Zhejiang Hangcha Imp. & Exp.Co.,Ltd.)

www.hcforlift.com

Add:398 Shi Qiao Road, Hangzhou Zhejiang province, China(310022)

Factory site:No.88,Donghuan Rd., Economic Development Zone Lin'an, Zhejiang, China(311305)

Tel: +86-571-88926755

Fax: +86-571-88926789 88132890

E-mail: sales@hcforlift.com

HANGCHA GROUP CO., LTD. Reserves the right to make any changes without notice concerning colors, equipment or specifications detailed in this brochure, or to discontinue individual models. The colors of trucks, delivered may differ slightly from those in brochures.

2014 VERSION 1/COPYRIGHT 2014/08

HANGCHA GROUP CO., LTD.

Outline

- Body choosing modern large circular arc streamline surface modeling, is in accordance with international design trend.

Comfortable

- Steering braking and lifting hydraulic adopts two independent hydraulic system, to ensure the braking performance, realize the joint operations.
- Ergonomically designed adjustable angle of steering wheel, and 150mm adjustable distance of seat, both provide better operator's comfort of different operators.
- New designed broad view mast provides better forward view ability.
- Soft landing system is applied for it, when the fork lows to 100-500mm to ground, the soft landing system is auto operated, it can avoid the forks dashing against the ground.
- New dashboard is easy to see and provides friendly human-computer interaction with multiple functions.
- Low noise, energy saving and no exhaust emission, all meet the environment friendly requirement.

AC Advantages

- Three motors are all Full-AC, free maintenance, low cost.
- High efficiency AC system with full protection functions provides reliability and long working life.

Maintenance

- You can open the door on each side, it make the motor, oil pump and electrical controller maintenance is very convenient, provide good waterproof and dustproof.
- Full opened battery cover is easy for battery service.

Advance

- International advanced Full-AC controller can control the travelling, lifting, braking and turning action. It provides stable and accurate control, speed control performance is superior, regenerative braking, reverse connect braking, anti-slope and other functions, make the operation more efficient, safe and comfortable.
- Big LCD dashboard is easy to see and provides friendly human-computer interaction and with running hours, self-diagnosis function and mode selection.
- Regenerative brake(When parking, reversing and declining, the drive motor will charge the battery, energy saving).
- Energy saving LED lamp.

Reliability & Safety

- Motor controller, contactor, power plug, emergency switch, instrument and other major electrical components adopt international brand products.
- Electronic and hydraulic overload protection device.
- CE Certification.

Stability

- Small dimension solid tyre, the front-rear type designed battery layout technology provides excellent stability.

Import battery specification

Note: ● Standard capacity ○ Optional capacity

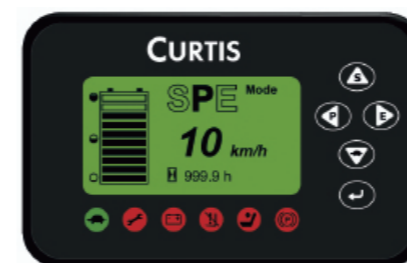
Capacity (Ah/5h)	5t	5.5t	6t	7t	8/8.5t
560	●				
630	○	○			
640	○	●			
725	○	○	●		
735	○	○	○		
810	○	○	○	●	
840	○	○	○	○	
945	○	○	○	○	●

Standard

- Full-AC motor & controller
- Multi-function dashboard
- Full electric controlled travelling, lifting, steering and braking
- Front light system, turning indicator, combined rear light
- Standard battery
- Emergency switch
- Reversing beeper
- Full hydraulic steering and braking
- Suspension seat
- Soft landing system
- 3m duplex wide view mast
- Standard forks
- Super elastic solid tyre
- Left and right rear view mirror
- Toolbox
- Pin



● Streamlined appearance.



● Human-computer interaction dashboard.



● Full opened bonnet.



● Full AC Controller.

Optional

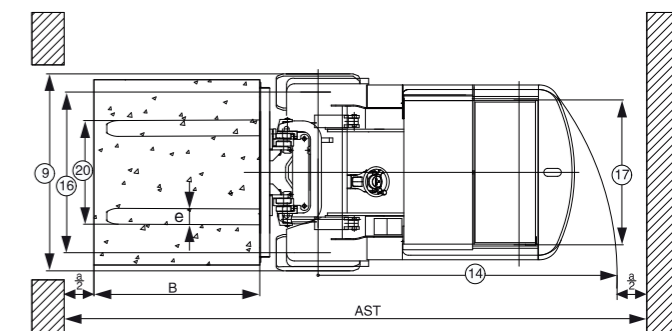
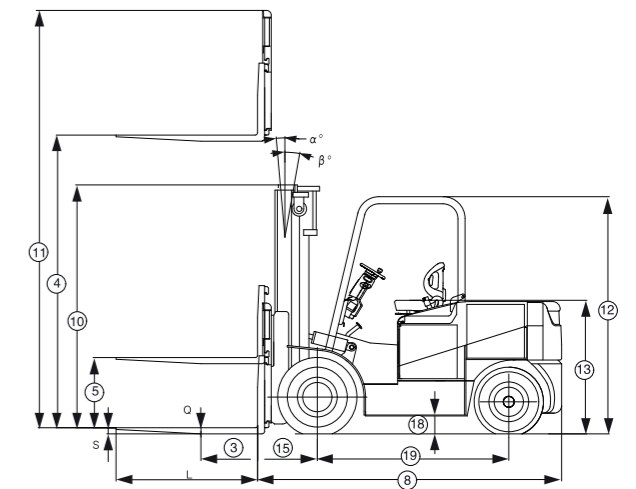
- Big capacity import battery
- Rear working light
- Triplex mast with full free lift
- Colored solid tyre
- Wider or higher load backrest
- Charger
- 5-8t dual tyre
- Duplex mast with full free lift
- Other length fork
- Attachments

J Series 5-8.5t electric forklift specification

Item		Manufacture		NO.		HANGCHA GROUP CO., LTD.								
Specification	Model			1	CPD50J	CPD55J	CPD60J	CPD70J	CPD80J	CPD85J				
	Rated capacity		kg	2	5000	5500	6000	7000	8000	8500				
	Load centre		mm	3	600	600	600	600	600	600				
	Lifting height		mm	4	3000	3000	3000	3000	3000	3000				
	Free lifting height		mm	5	160	160	160	160	175	175				
	Fork size	s×e×l	mm	6	60×150×1200	60×150×1200	60×150×1200	65×150×1200	65×200×1200	70×200×1200				
	Tilting angle	F/B (α°/β°)	(°)	7	5°/10°	5°/10°	5°/10°	5°/10°	5°/10°	5°/10°	5°/10°			
Dimensions	Overall Dimension	Length (to fork face)	deg	8	3225	3225	3225	3225	3225	3445				
		Width	mm	9	1840	1840	1840	1840	1945	1970				
		Height when mast lowered	mm	10	2500	2500	2500	2500	2650	2650				
		Height when mast lifting	mm	11	4407	4407	4407	4407	4407	4407				
		Height to safeguard	mm	12	2515	2515	2515	2515	2515	2515				
	Height seat	mm	13	1380	1380	1380	1380	1380	1380	1380				
	Turning radius	Min.	mm	14	3050	3050	3050	3050	3050	3050				
	Overhang		mm	15	598.5	598.5	598.5	603.5	633.5	633.5				
	Tread(Front/Rear)		mm	16/17	1611/1460	1611/1460	1574/1465	1574/1465	1623/1465	1489/1465				
	Ground clearance	Min.	mm	18	190	190	190	190	190	190				
	Wheelbase		mm	19	2030	2030	2030	2030	2030	2030				
	Fork spread	Min. / Max.	mm	20	300/1700	300/1700	300/1700	300/1700	400/1700	400/1700				
	Working aisle width with pallet (Ast)*	1000×1200 crossways	mm	21	4848	4848	4848	4854	4884	4884				
		800×1200 lengthways	mm	22	5048	5048	5048	5054	5084	5084				
Performance	Speed	Travel (Laden)	km/h	23	14	14	14	14	13.5	13.5				
		Travel (Unladen)	km/h	24	16	16	16	16	16	16				
		Lifting (Laden)	mm/s	25	265	265	265	235	235	210				
		Lifting (Unladen)	mm/s	26	420	400	400	310	310	280				
		Lowing (Laden)	mm/s	27	480	450	450	500	545	545				
		Lowing (Unladen)	mm/s	28	410	400	400	340	345	345				
	Gradeability	Laden	%	29	16	16	15	14	13	12				
		Unladen	%	30	18	18	17	16	15	14				
	Service weight	Include battery box	kg	31	8900	9300	10020	10700	12200	12500				
	Tyre	Front×2 SE		32	300-15	300-15	355/65 -15	355/65 -15	355/50-20	8.25-15(X4)				
Rear×2 SE			33	28×9-15	28×9-15	250-15	250-15	250-15	250-15					
Driven	Motor	Driven motor	kW	34	35	35	35	35	35	35				
		Pump motor	kW	35	40	40	40	40	40	40				
		Steering motor	kW	36	3	3	3	3	3	3				
	Battery	Standard	V/Ah	37	96/560	96/640	96/720	96/810	96/945	96/945				
	Controller	Type		38	MOSFET/AC	MOSFET/AC	MOSFET/AC	MOSFET/AC	MOSFET/AC	MOSFET/AC				
Manufacturer			39	CURTIS	CURTIS	CURTIS	CURTIS	CURTIS	CURTIS					
Operating pressure for attachment		MPa	40	19	19	19	19	19	19					

Specifications are subject to change without notice.

Dimensions

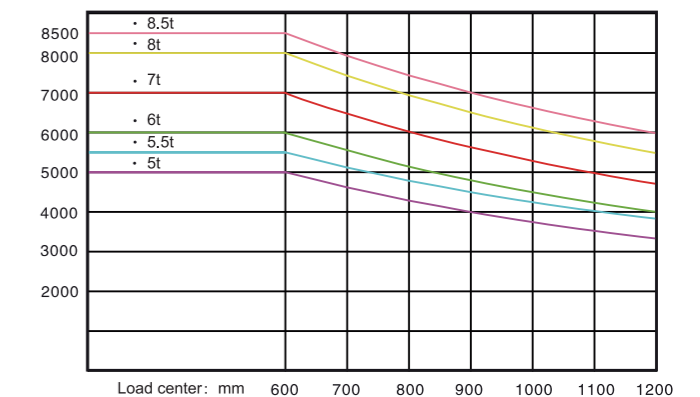


$$AST = (9) + (14) + (15) + a$$

a=200mm Safety clearance

Load Chart

Lifting weight: kg



5-7t Mast Specification(Solid Tyre)

Type	Max Lifting Height	Overall Height			Free lift		Overhang 5~6t/7t	Tilt range F/R	Capacity			
		Lowered	Extended		Without backrest 5~6t/7t	With backrest			Load Capacity at 600mm			
			Without backrest 5~6t/7t	With backrest					Double tire			
									5t	5.5t	6t	7t
mm	mm	mm	mm	mm	mm	mm	(°)	kg	kg	kg	kg	
Duplex wide view mast	2500	2250	3495/3667	3907	160	160	600	5/10	5000	5500	6000	7000
	2700	2350	3695/3867	4107	160	160	600	5/10	5000	5500	6000	7000
	3000	2500	3995/4167	4407	160	160	600	5/10	5000	5500	6000	7000
	3300	2650	4295/4467	4707	160	160	600	5/10	5000	5500	6000	7000
	3600	2800	4595/4767	5007	160	160	600	5/10	5000	5500	6000	7000
	4000	3000	4995/5167	5407	160	160	600	5/10	5000	5500	6000	7000
	4300	3200	5300/5467	5707	160	160	600	5/8	4900	5400	5900	6900
	4500	3300	5500/5667	5907	160	160	600	5/8	4800	5300	5800	6700
	4800	3450	5800/5967	6207	160	160	600	5/8	4700	5200	5700	6500
	5000	3550	6000/6167	6407	160	160	600	5/8	4200	4700	5200	6200
	5500	3850	6550/6667	6907	160	160	600	5/8	4000	4500	5000	6000
6000	4100	7050/7167	7407	160	160	600	5/8	3900	4400	4900	5900	
Duplex full-free mast	2500	2185	3455/3615	3637	1230/1070	1048	625.5/631.5	5/8	5000	5500	6000	7000
	2700	2300	3655/3815	3837	1345/1185	1163	625.5/631.5	5/8	5000	5500	6000	7000
	3000	2450	3955/4115	4137	1495/1335	1313	625.5/631.5	5/8	5000	5500	6000	7000
	3300	2600	4255/4415	4437	1645/1485	1463	625.5/631.5	5/8	5000	5500	6000	7000
	3600	2750	4555/4715	4737	1795/1635	1613	625.5/631.5	5/8	5000	5500	6000	7000
	4000	2950	4955/5115	5137	1995/1835	1813	625.5/631.5	5/8	5000	5500	6000	7000
	4300	3150	5255/5415	5437	2195/2035	2013	625.5/631.5	5/8	4900	5400	5900	6900
	4500	3250	5455/5615	5637	2295/2135	2113	625.5/631.5	5/8	4800	5300	5800	6700
	4800	3400	5755/5915	5937	2445/2285	2263	625.5/631.5	5/8	4700	5200	5700	6500
	5000	3500	5955/6115	6137	2545/2385	2363	625.5/631.5	5/8	4200	4700	5200	6200
	5500	3800	6455/6615	6637	2800/2685	2663	625.5/631.5	5/8	4000	4500	5000	6000
Triplex full-free mast	4500	2725	5735	5907	1500	1328	667/672	5/8	4500	5000	5500	6400
	4800	2825	6035	6207	1600	1428	667/672	5/8	4500	5000	5500	6300
	5000	2875	6213	6407	1672	1478	667/672	5/8	4500	5000	5400	6300
	5500	3075	6785	6907	1800	1678	667/672	5/8	4200	4700	5200	6100
	6000	3225	7235	7407	2000	1828	667/672	5/8	4000	4500	5000	5700
	6500	3375	7713	7907	2172	1978	667/672	5/8	3500	4000	4500	5300

8-8.5t Mast Specification(Solid Tyre)

Type	Max Lifting Height	Overall Height			Free lift		Overhang	Tilt range F/R	Capacity	
		Lowered	Extended		Without backrest	With backrest			Load Capacity at 600mm	
			Without backrest	With backrest					Double tire	
									8t	8.5t
mm	mm	mm	mm	mm	mm	mm	(°)	kg	kg	
Duplex wide view mast	2500	2400	3817	3907	175	175	633.5	5/10	8000	8500
	2700	2500	4017	4107	175	175	633.5	5/10	8000	8500
	3000	2650	4317	4407	175	175	633.5	5/10	8000	8500
	3300	2800	4617	4707	175	175	633.5	5/10	7600	8500
	3600	3000	4917	5007	175	175	633.5	5/10	7500	8200
	4000	3200	5317	5407	175	175	633.5	5/10	7400	8100
	4300	3300	5617	5707	175	175	633.5	5/8	7300	8000
	4500	3450	5817	5907	175	175	633.5	5/8	7000	7500
	4800	3550	6117	6207	175	175	633.5	5/8	6800	7400
	5000	3850	6317	6407	175	175	633.5	5/8	6800	7300
	5500	4100	6817	6907	175	175	633.5	5/8	6400	7100
6000	4350	7317	7407	175	175	633.5	5/8	5900	6600	

6-8.5t Load Capacity with dual tyre

Max Lifting Height	Capacity			
	Load Capacity at 600mm			
mm	6t	7t	8t	8.5t
mm	Kg	Kg	Kg	Kg
2500	6000	7000	8000	8500
2700	6000	7000	8000	8500
3000	6000	7000	8000	8500
3300	6000	7000	8000	8500
3600	6000	7000	7700	8200
4000	6000	7000	7600	8100
4300	5800	6800	7500	8000
4500	5600	6500	7000	7500
4800	5500	6400	6900	7400
5000	5400	6300	6800	7300
5500	5200	6100	6600	7100
6000	5000	5900	6100	6600
6500	4700	5500	/	/

